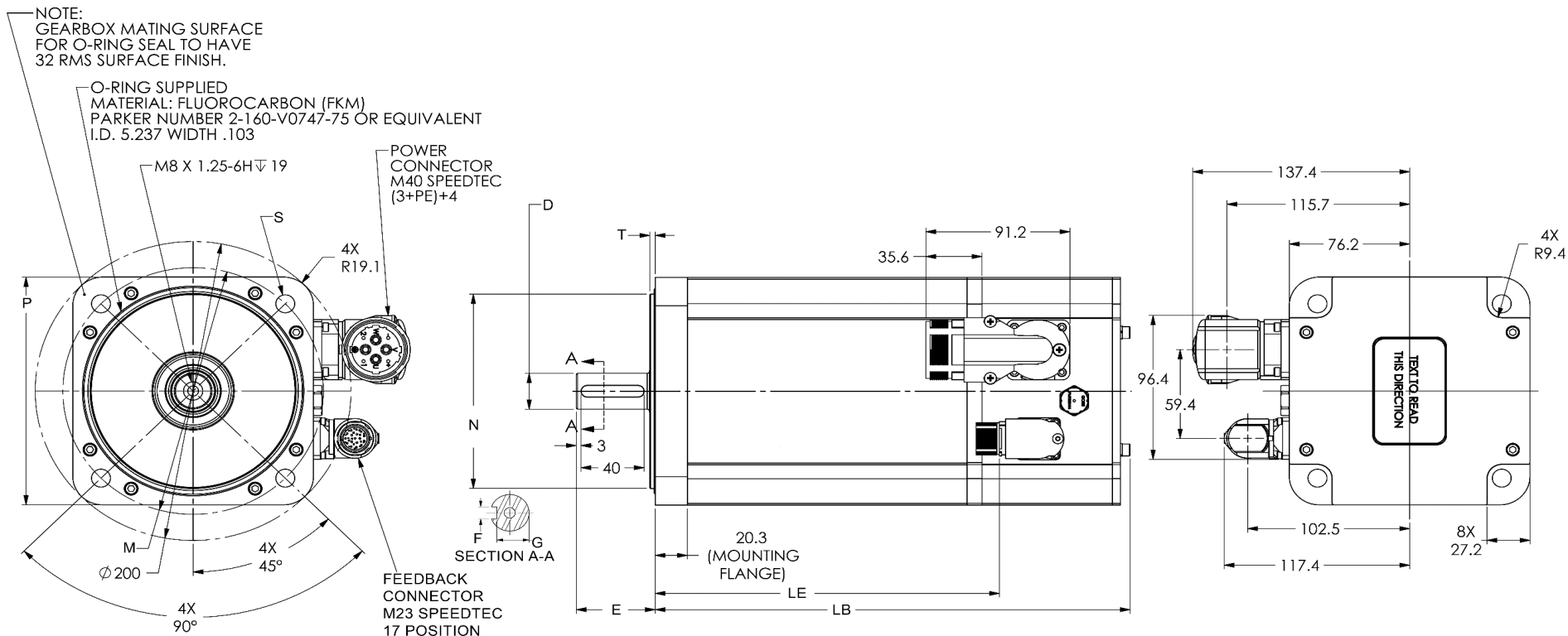


SF-SERIES | FOOD GRADE SERVO MOTORS

M46x FRAME SIZE



Model	Dimensions (mm)										
	Shaft Dia.	Shaft Ext.	Keyway	Keyway Depth	Mounting Bolt Circle	Pilot Dia.	Flange (Sq)	Mounting Hole	Overall Length	Length to Lead Exit	Pilot Height
	ϕ D	E	F	G	ϕ M	ϕ N	P	ϕ S	LB	LE	T
M465-GN00-0KEN	24 k6	50	8x40	20	165	130	152	12	424.5	334.5	3.5
M465-GN00-2KEN	24 k6	50	8x40	20	165	130	152	12	424.5	334.5	3.5
M465-GN0C-0KEN	24 k6	50	8x40	20	165	130	152	12	468.9	378.9	3.5
M465-GN0C-2KEN	24 k6	50	8x40	20	165	130	152	12	468.9	378.9	3.5