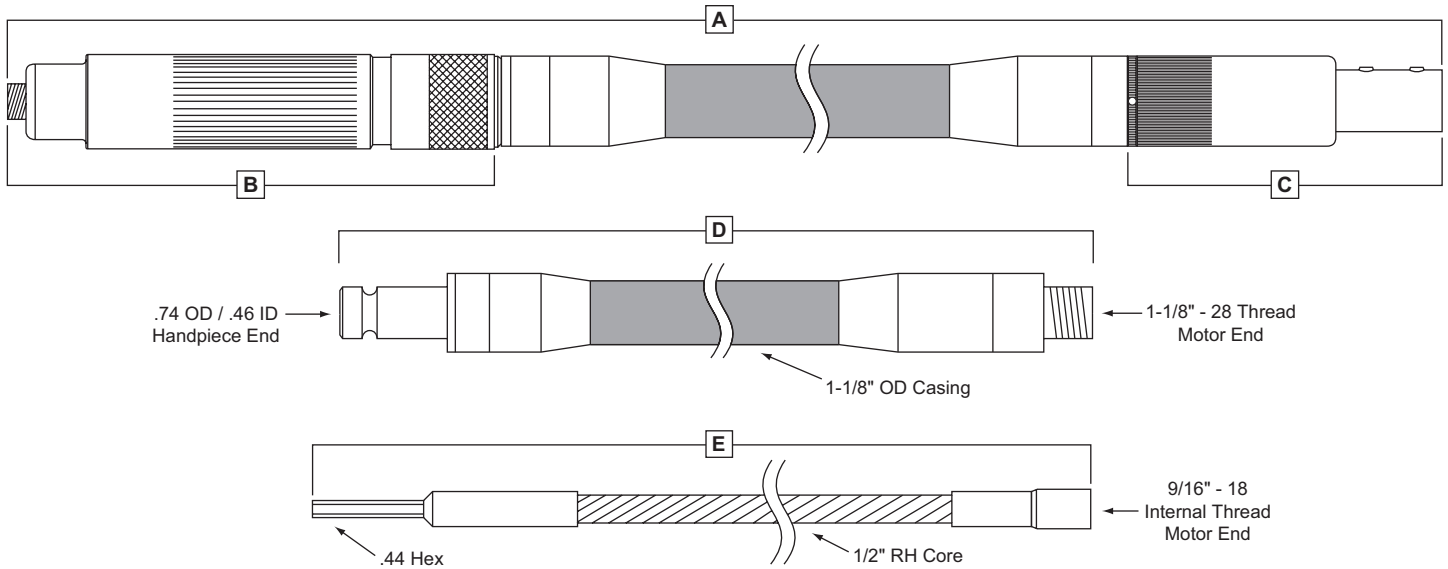


No. 30 - Industrial Flex Shaft

For Use With a 3/4 hp Power Unit



Item "A" #481-316 — Assembly, #30 Industrial Flex Shaft; 5/8" Diameter (7 ft. long)

| Item | EPN | Description |
|------|---------|--|
| B | 555-510 | Assembly, Handpiece, 551 (Spindle is 9/16" - 18" Thread) |
| C | 345-500 | Assembly, Coupling; Motor; 550-MP 5/8" I.D. Size |
| D | 211-217 | Assembly, Casing, K-30 (Overall Length is 79") |
| E | 321-307 | Assembly, Core, C-30 (Overall Length 81-7/8") |

Item "A" #481-317 — Assembly, #30 Industrial Flex Shaft; 3/4" Diameter (7 ft. long)

| Item | EPN | Description |
|------|---------|--|
| B | 555-510 | Assembly, Handpiece, 551 (Spindle is 9/16" - 18" Thread) |
| C | 345-503 | Assembly, Coupling; Motor; 550-MP 3/4" I.D. Size |
| D | 211-217 | Assembly, Casing, K-30 (Overall Length is 79") |
| E | 321-307 | Assembly, Core, C-30 (Overall Length 81-7/8") |

For a detail drawing of item "B" and "C", see other side of page.

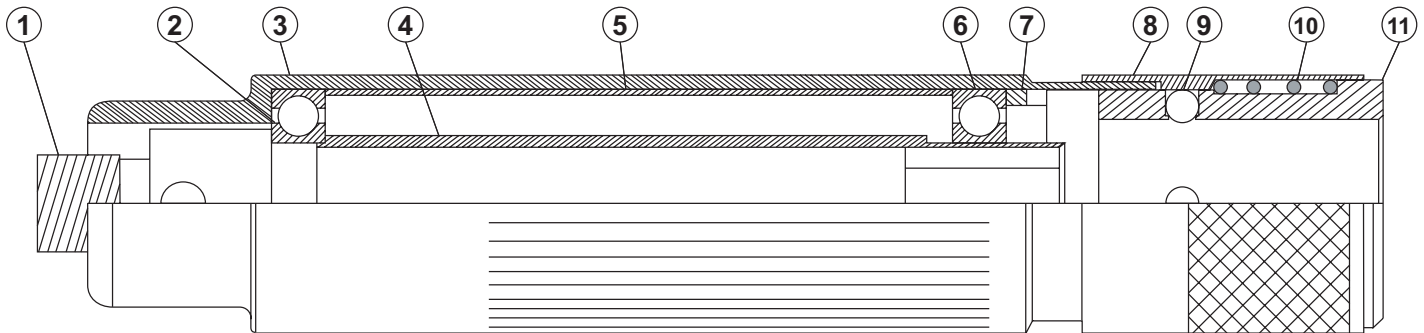
General Instructions

The above #30 Flex Shaft is 7 feet long with a Ball Bearing Motor Coupling to fit on the customer's Motor or Power Drive with a 5/8" or 3/4" driveshaft. Elwood-Wyco Wheel Arbors for grinding wheels, wire brushes, etc., with 3/8, 1/2 or 5/8" arbor holes are available. There are also Rasp Adapters for using Rasps with internal threads 3/8" - 16 and 1/2" - 13.

No. 30 - Industrial Flex Shaft

For Use With a 3/4 hp Power Unit

No. 551 "Quick Change" HANDPIECE

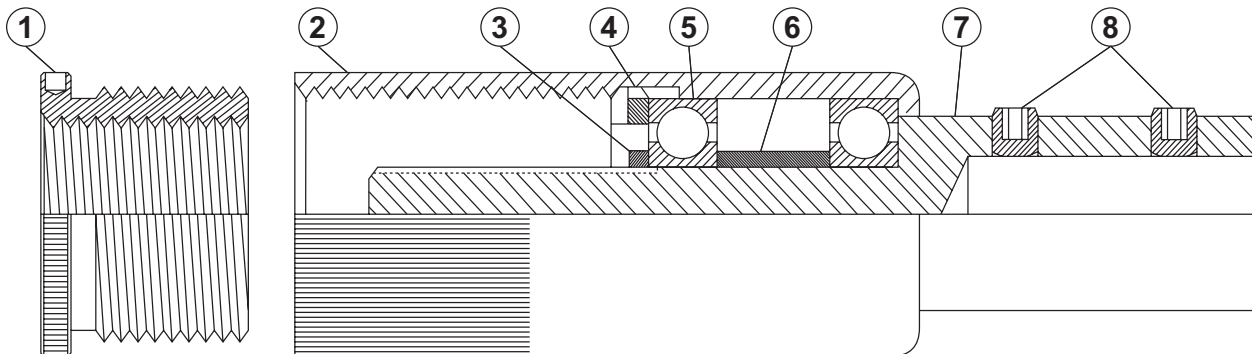


PARTS LIST

| Item | EPN | Qty. | Description |
|------|---------|------|-------------------------|
| 1 | 795-072 | 1 | Spindle, #507-P |
| 2 | 098-334 | 1 | Bearing, Ball; Sealed |
| 3 | 765-501 | 1 | Shell, Handpiece; Black |
| 4 | 385-442 | 1 | Sleeve, Hex |
| 5 | 785-280 | 1 | Spacer, Bearing |
| 6 | 098-332 | 1 | Bearing, Ball; Shielded |

| Item | EPN | Qty. | Description |
|------|---------|------|----------------------|
| 7 | 708-380 | 1 | Ring, Lock |
| 8 | 765-322 | 1 | Sleeve, Quick Change |
| 9 | 091-400 | 4 | Ball, Steel |
| 10 | 805-320 | 1 | Spring, Quick Change |
| 11 | 778-380 | 1 | Socket, Handpiece |

No. 550-MP Ball Bearing Motor Coupling



PARTS LIST

| Item | EPN | Qty. | Description |
|------|---------|------|-------------------------|
| 1 | 175-360 | 1 | Bushing, Reducing |
| 2 | 765-502 | 1 | Shell, Coupling; Plated |
| 3 | 432-545 | 1 | Nut, Hex Lock |
| 4 | 708-380 | 1 | Ring, Lock |
| 5 | 098-334 | 2 | Bearing, Ball |

| Item | EPN | Qty. | Description |
|------|---------|------|-------------------------|
| 6 | 785-282 | 1 | Spacer, Motor Coupling |
| 7 | 345-451 | 1 | Coupling, Motor; 5/8" |
| 7 | 345-452 | 1 | Coupling, Motor; 3/4" |
| 8 | 434-030 | 2 | Screw, Set, 5/16" - 18" |

Maintenance and Lubrication Instructions

Handpiece: Bearings are lifetime lubricated and need no further lubrication. **To remove bearings for replacement:** (a) Remove socket by using flat side or wrench in slot of socket. (b) Remove Lock Ring (4). Bearing assembly (3, 5, 6, 7 & 8) will now slide out. (c) Clean parts with a clean cloth. **DO NOT** dip bearings in solvent.

Coupling: **To detach core from coupling after casing is removed:** (a) Fasten locking pliers over core end. (b) Hold coupling in vise. (c) Turn Pliers (R.H. threads) and remove core end. **To disassemble coupling:** (a) Remove reducing bushing (1) (b) Remove lock ring. The coupling and bearing assembly will slide forward for removal (c) Remove hex nut (3). Bearings are now free for removal.

Flex Shaft: Lubricate core after every 50 hours of operation using Elwood-Wyco lubricant. Loosen the casing to expose about 18" of core and apply a liberal amount of lubricant to the exposed section of core and re-install the casing. The lubricant will travel the full length of the shaft when in use.