

# CAPACITOR APPLICATION DATA

Please fill out, print and fax this form to Elwood HVC at (414) 764-4298.

Name: \_\_\_\_\_

Date: \_\_\_\_\_

Company Name: \_\_\_\_\_

Company Address: \_\_\_\_\_

Phone: \_\_\_\_\_

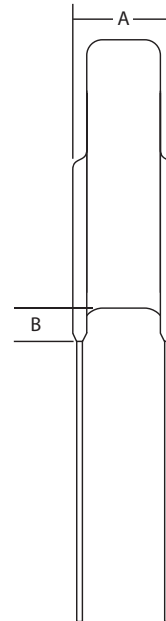
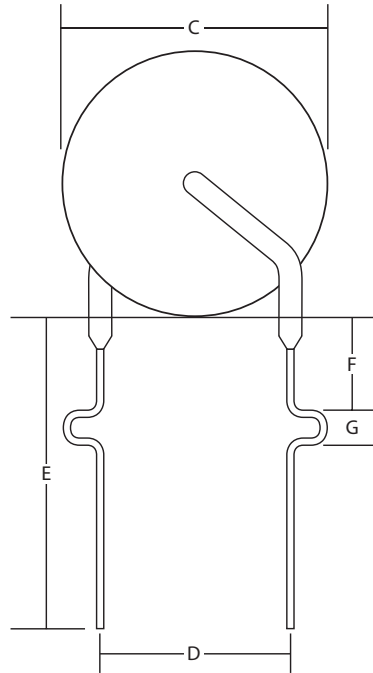
\_\_\_\_\_

Email: \_\_\_\_\_

\_\_\_\_\_

Project Name: \_\_\_\_\_

\_\_\_\_\_



## CHARACTERISTICS:

Capacitance: \_\_\_\_\_ (specify pF or  $\mu$ F)

Tolerance: \_\_\_\_\_ %

Frequency: \_\_\_\_\_ (1KHz or 1MHz)

Working Voltage: \_\_\_\_\_ KVDC

Test Voltage: \_\_\_\_\_ KVDC

Dissipation Factor (D.F.): \_\_\_\_\_

Temp. Characteristics (t.c.): \_\_\_\_\_

Corona Start: \_\_\_\_\_

## DIMENSIONS:

A: \_\_\_\_\_ Max.

B: \_\_\_\_\_ Min. (0.13" typical)

C: \_\_\_\_\_ Max.

D: \_\_\_\_\_ (1/4", 3/8", 1/2" typical)

E: \_\_\_\_\_ Min. (1.00" Min. typical)

F: \_\_\_\_\_ (N/A - For No Kink)

G: \_\_\_\_\_ (N/A - For No Kink)

Wire AWG: \_\_\_\_\_ (20AWG typical)

Special Instructions: \_\_\_\_\_

\_\_\_\_\_

\_\_\_\_\_



Elwood Corporation - HVC Group  
 195 West Ryan Road • Oak Creek, WI 53154  
 Phone: 800-527-7500 • Fax: 414-764-4298  
 info@elwood.com • www.elwood.com