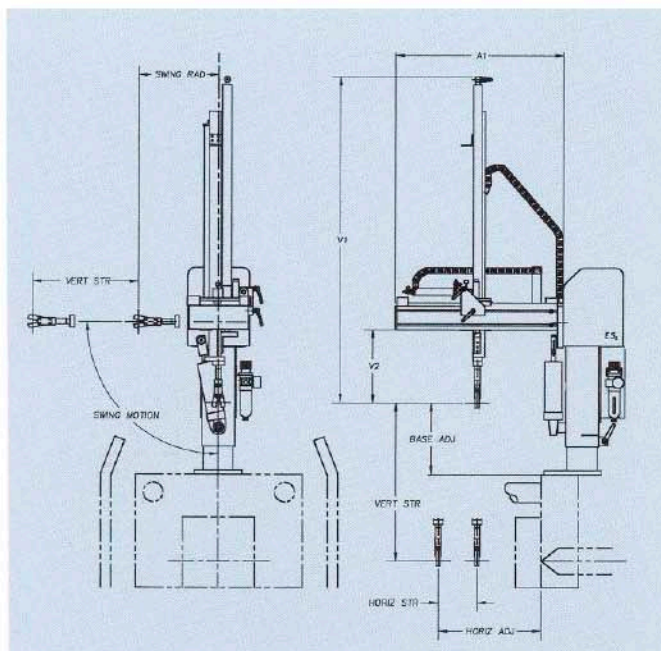


ES₂ Series

Swing Model



Description / Model	180ES ₂	250ES ₂	320ES ₂	400ES ₂
Vertical Stroke	0 - 18"	0 - 25"	0 - 32"	0 - 40"
Horizontal Stroke	0 - 4"	0 - 4"	0 - 4"	0 - 4"
Horizontal Adjustment	3.5 - 20"	3.5 - 20"	3.5 - 20"	3.5 - 20"
Swing Motion	60 - 90°	60 - 90°	60 - 90°	60 - 90°
Base Adjustment	6 - 16"	6 - 16"	11 - 21"	11 - 21"
Swing Radius	16.88"	16.88"	11.63"	11.63"
V1 Single Stage*	44.9"	51.9"	54.5"	61.5"
V2	15.7"	15.7"	10.5"	10.5"
A1	28.5"	28.5"	28.5"	28.5"
Payload (Lbs.)	6	6	6	6

All measurements are in inches. Specifications are subject to change without notice.
 *V1 Low-overhead Two Stage vertical available. Please call for specifications.



195 W. Ryan Road • Oak Creek, WI 53154
 (800) 541-8813 • (414) 764-7500 • FAX: (414) 764-4298
www.elwood.com