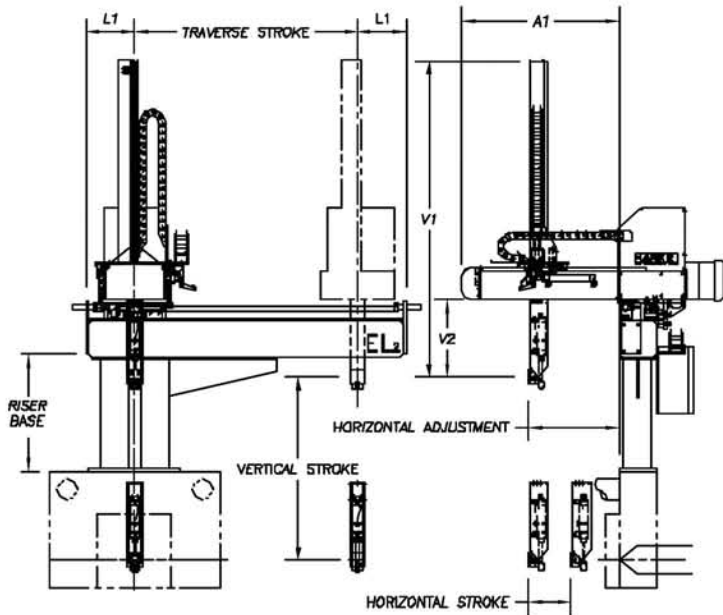


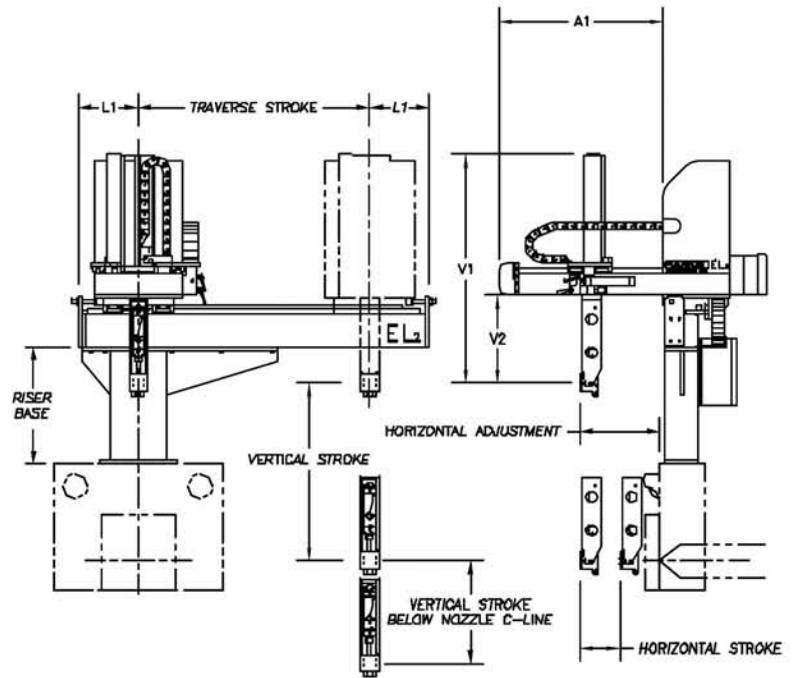
EL2 Series

Single Stage



EL2 Series

Two Stage



Description / Model	250EL ₂	320EL ₂	400EL ₂	480EL ₂
Vertical Stroke	0 - 25"	0 - 32"	0 - 40"	0 - 48"
Horizontal Stroke Pneumatic	0 - 6"	0 - 6"	0 - 8"	0 - 12"
Electric	0 - 18"	0 - 18"	0 - 24"	0 - 32"
Horizontal Adjustment	6 - 24"	6 - 24"	10 - 34"	10 - 41"
Traverse Stroke Standard	48"	48"	60"	72"
Extended	60"	60"	72"	84"
Wrist Bend	90°	90°	90°	90°
Payload (Lbs.)	15	15	20	25
L1	11"	11"	11"	11"
A1	38"	38"	44"	51"
V1	53"	59"	71"	80"
V2	15"	15"	17"	17"

All measurements are in inches. Specifications are subject to change without notice.

Description / Model	250EL ₂	320EL ₂	400EL ₂	480EL ₂	600EL ₂	720EL ₂	840EL ₂
Vertical Stroke 2-Stage Low Overhead Clearance	0-25"	0-32"	0-40"	0-48"	0-60"	0-72"	0-84"
2-Stage Below Overhead Clearance	0-12"	0-16"	0-20"	0-24"	NA	NA	NA
Horizontal Stroke Pneumatic	0-6"	0-6"	0-8"	0-12"	NA	NA	NA
Electric	0-18"	0-18"	0-24"	0-32"	0-44"	0-44"	0-56"
Horizontal Adjustment	6-24"	6-24"	10-34"	10-41"	16-60"	16-60"	16-72"
Traverse Stroke Standard	48"	48"	60"	72"	84"	96"	96"
Extended	60"	60"	72"	84"	120"	120"	120"
Wrist Bend	90°	90°	90°	90°	90°	90°	90°
Payload (Lbs.)	15	15	20	25	50	50	60
L1	11"	11"	11"	11"	18"	18"	18"
A1	38"	38"	44"	51"	70"	70"	82"
V1 Low overhead	48"	50"	54"	60"	64"	71"	76"
V2	15"	15"	17"	17"	24"	30"	36"

All measurements are in inches. Specifications are subject to change without notice.



195 W. Ryan Road • Oak Creek, WI 53154
 (800) 541-8813 • (414) 764-7500 • FAX: (414) 764-4298
 www.elwood.com