



**ELWOOD HIGH PERFORMANCE MOTORS  
 1326AS SERIES MOTOR DATA**

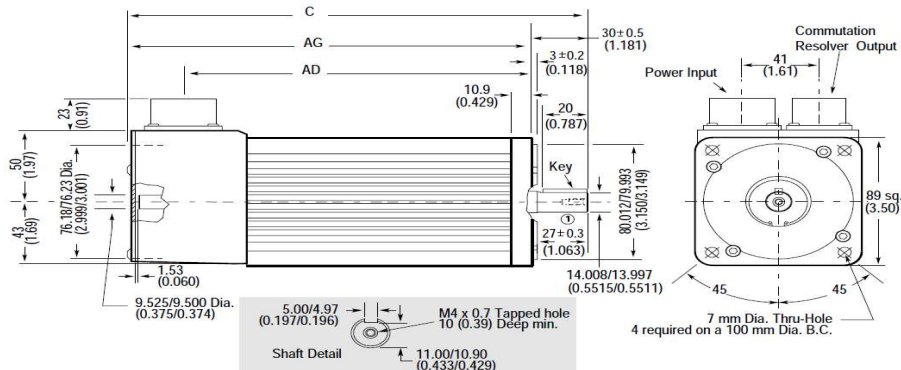
Motor Catalog Number <sup>1</sup>	Rated Speed rpm		Motor Rated Torque N-m (lb-in.)	Motor Rated Output kW	Rotor Inertia kg-m <sup>2</sup> (lb-in.-s <sup>2</sup> )	System Continuous Torque N-m (lb-in.)	System Peak Stall Torque N-m (lb-in.)	System Continuous Stall Current Amperes	System Peak Stall Current Amperes
	460V	380V							
1326AS-B310H	6200	5120	0.7 (6.1)	0.3	0.000045 (0.0004)	0.7 (6.1)	2.1 (18)	0.8	2.4
1326AS-B330H	6500	5370	2.0 (18.0)	0.9	0.00009 (0.0008)	2.1 (18)	5.6 (50)	2.1	6.0
1326AS-B420G	5250	4340	3.2 (28.0)	1.2	0.0003 (0.0027)	3.2 (28)	7.3 (65)	2.6	7.8
1326AS-B440G	5250	4340	6.4 (56.0)	2.0	0.0005 (0.0046)	6.4 (56)	19.0 (168)	5.4	16.2
1326AS-B460F	4300	3550	9.0 (80.0)	2.8	0.00075 (0.0066)	9.0 (80)	21.9 (194)	6.2	15.0
1326AS-B630F	4500	3720	10.7 (95.0)	2.4	0.0014 (0.012)	10.7 (95)	25.4 (225)	7.8	18.5
1326AS-B660E	3000	2480	21.5 (190)	3.4	0.0025 (0.022)	21.5 (190)	54.2 (480)	11.8	29.8
1326AS-B690E	3000	2480	36.4 (322)	5.0	0.0036 (0.032)	36.4 (322)	79.1 (700)	<b>19.0</b>	41.3

<sup>1</sup> All ratings are for 40° C (104° F) motor ambient, 100° C (212° F) case and 50° C (122° F) amplifier ambient.



**ELWOOD HIGH PERFORMANCE MOTORS**  
**1326AS SERIES DIMENSIONAL DATA**

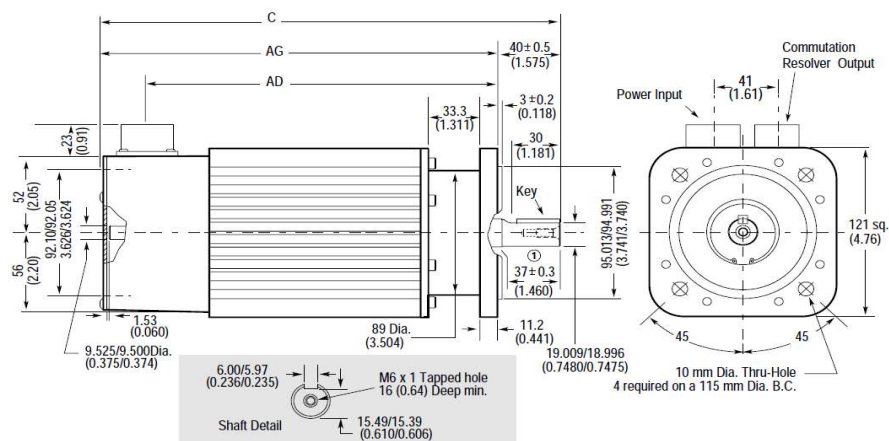
Motor Dimensions - 1326AS-B3 Series Servo Motor



Flange Mount in millimeters and (inches)						
Catalog number	Description	AD	AG	C	Key	End milled keyway (full depth)
1326AS-B310x-21	without brake <sup>1</sup>	135 (5.32)	165 (6.50)	195 (7.68)	5 x 5 x 20 (0.197 x 0.197 x 0.79)	20 (0.79)
1326AS-B330x-21	without brake <sup>1</sup>	186 (7.32)	216 (8.50)	246 (9.68)	5 x 5 x 20 (0.197 x 0.197 x 0.79)	20 (0.79)

<sup>1</sup> If you are ordering a 1326AS-B3xxx-21-K3 with an optional 24V DC 2.26 N-m (20 lb-in.) brake, add 39 mm (1.54 in.) to AD, AG and C. Dimensions are per NEMA Standards MG 7-2.4.1.3 and IEC 72-1. Shaft and pilot tolerances are per DIN 42955, N tolerance.

Motor Dimensions - 1326AS-B4 Series Servo Motor



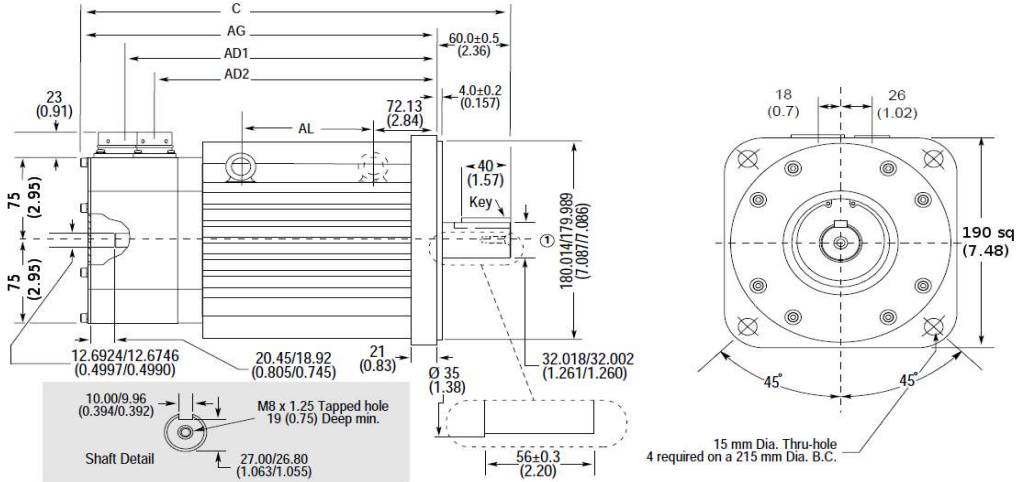
Flange Mount in millimeters and (inches)						
Catalog number	Description	AD	AG	C	Key	End milled keyway (full depth)
1326AS-B420x-21	without brake <sup>1</sup>	208 (8.19)	238 (9.38)	278 (10.95)	6 x 6 x 30 (0.236 x 0.236 x 1.18)	30.0 (1.18)
1326AS-B440x-21	without brake <sup>1</sup>	259 (10.19)	289 (11.38)	329 (12.95)	6 x 6 x 30 (0.236 x 0.236 x 1.18)	30.0 (1.18)
1326AS-B460x-21	without brake <sup>1</sup>	310 (12.19)	340 (13.38)	380 (14.95)	6 x 6 x 30 (0.236 x 0.236 x 1.18)	30.0 (1.18)

<sup>1</sup> If you are ordering a 1326AS-B4xxx-21-K4 with an optional 24V DC 10.2 N-m (90 lb-in.) brake, add 46 mm (1.81 in.) to AD, AG and C. Dimensions are per NEMA Standards MG 7-2.4.1.3 and IEC 72-1. Shaft and pilot tolerances are per DIN 42955, N tolerance.



**ELWOOD HIGH PERFORMANCE MOTORS  
1326AS SERIES DIMENSIONAL DATA**

Motor Dimensions - 1326AS-B6 Series Servo Motor



Flange Mount in millimeters and (inches)								
Catalog number	Description	AL	AD1	AD2	AG	C	Key	End milled keyway (full depth)
1326AS-B630x-21	without brake <sup>1</sup>	69 (2.71)	255 (10.03)	231 (9.09)	291 (11.45)	351 (13.81)	10 x 8 x 40 (0.394 x 0.315 x 1.57)	40 (1.57)
1326AS-B660x-21	without brake <sup>1</sup>	145 (5.71)	331 (13.03)	307 (12.09)	367 (14.45)	427 (16.81)	10 x 8 x 40 (0.394 x 0.315 x 1.57)	40 (1.57)
1326AS-B690x-21	without brake <sup>1</sup>	221 (8.71)	407 (16.03)	383 (15.09)	443 (17.45)	503 (19.81)	10 x 8 x 40 (0.394 x 0.315 x 1.57)	40 (1.57)

<sup>1</sup> If you are ordering a 1326AS-B6xxx-21-K6 with an optional 24V DC 36.7 N-m (325 lb-in.) brake, add 54 mm (2.13 in.) to AL, AD1, AD2, AG and C.  
Dimensions are per NEMA Standards MG 7-2.4.1.3 and IEC 72-1. Shaft and pilot tolerances are per DIN 42955, N tolerance. The eye bolt diameter is 30.48 mm (1.20 in.) O.D. x 19.05 mm (0.75 in.) I.D.

**CABLES FOR 1326 SERIES MOTORS  
CONTINUOUS FLEX RATED\***

\*Elwood's continuous flex rated cables replace both flexing and non-flexing cables for 1326 Series motors.

Rockwell Model	Cable Type/Description	Motors	Drives	Elwood Model
1326-CPB1T-L-0xx (xx=length in meters)	Power, Straight Conn	1326AS-B3xx, 1326AS-B4xx	Any	141-APxxx-01 (xxx=length in feet)
1326-CPB1T-RAL-0xx (xx=length in meters)	Power, Rt. Angle Conn, cable exit toward shaft	1326AS-B3xx, 1326AS-B4xx	Any	141-APxxx-03 (xxx=length in feet)
1326-CPB1T-RBL-0xx (xx=length in meters)	Power, Rt. Angle Conn, cable exit away from shaft	1326AS-B3xx, 1326AS-B4xx	Any	141-APxxx-05 (xxx=length in feet)
1326-CPC1T-L-0xx (xx=length in meters)	Power, Straight Connector	1326AS-B6xx, 1326AS-B8xx	Any	141-APxxx-02 (xxx=length in feet)
1326-CPC1T-RAL-0xx (xx=length in meters)	Power, Rt. Angle Conn, cable exit toward shaft	1326AS-B6xx, 1326AS-B8xx	Any	141-APxxx-04 (xxx=length in feet)
1326-CPC1T-RBL-0xx (xx=length in meters)	Power, Rt. Angle Conn, cable exit away from shaft	1326AS-B6xx, 1326AS-B8xx	Any	141-APxxx-06 (xxx=length in feet)
1326-CCUT-L-0xx (xx=length in meters)	Feedback/Resolver, Straight Conn.	Any 1326	Any	141-AFxxx-01 (xxx=length in feet)
1326-CCUT-RAL-0xx (xx=length in meters)	Feedback/Resolver, Rt. Angle Conn, cable exit toward shaft	Any 1326	Any	141-AFxxx-02 (xxx=length in feet)
1326-CCUT-RBL-0xx (xx=length in meters)	Feedback/Resolver, Rt. Angle Conn, cable exit away from shaft	Any 1326	Any	141-AFxxx-03 (xxx=length in feet)