

Photoelectrics For Vehicle Washes



L255HR
Light Source



A978HR
Control

The AUTOTRON A978HR Control and L255HR Light Source are designed for top performance in severe environments. This set is a modified version of our R Series through-beam configuration which has been field proven for many years. We have added even more features to provide the highest degree of reliability in the toughest applications.



P875
Swivel Bracket



P960
Weather Shield

FEATURES

- Die cast metal factory-sealed case.
- Sensitivity is adjustable from outside the case. No need to open control.
- Quick disconnect receptacle is factory installed for ease of installation and replacement.
- Electro-static powder coating of entire case to resist solvents and corrosion.
- Lens heater to help prevent lens fogging.
- Recessed scratch-resistant glass lens.
- Corrosion-resistant circuit coatings.
- Pulsed LED light source for indefinitely long life and high immunity to ambient light.
- Weather shield for additional protection.
- Universal swivel bracket is optional.

ORDERING INFORMATION

One Set Contains	Model No.	Description
1	A978HR	On/Off Control
1	L255HR	LED Light Source
2	P875	Swivel Bracket (optional)
2	P960	Weather Shield (optional)

Mating plug/cable assembly must be ordered separately

Quantity discounts available

Prices subject to change without notice

SPECIFICATIONS

Light Beam Distance -
0-300 feet

Input - 120V \pm 10% 60Hz

Power Consumption - 5VA

Response Time - .01 sec. for
circuit 03 including relay

Output-Relay: 1 Normally -
Open Contact Rated 10A,
120 VAC resistive

Lamp - GaAlAs infrared LED.
Life-indefinitely long

Sensor - Silicon phototransistor

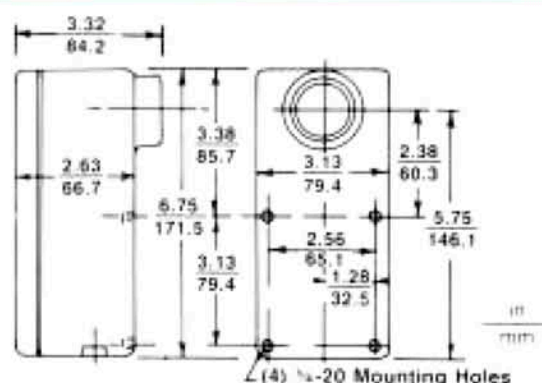
**Ambient Operating
Temperature Range** -40°F to
+131°F (-40°C to +55°C)

Ambient Light Tolerance -
10,000 foot candles

Enclosure - Die cast aluminum
powder-coated inside and out-
side. NEMA 1, 3, 4, 5, 12, 13

Shipping weight - 7 lbs./set

†Maximum ranges apply for
clean indoor conditions only.



ELWOOD CORP.-AUTOTRON GROUP

195 W. RYAN ROAD • OAK CREEK, WI 53154-4401 • 414-764-7500
TOLL FREE 800-527-7500 • FAX 414-764-4298