



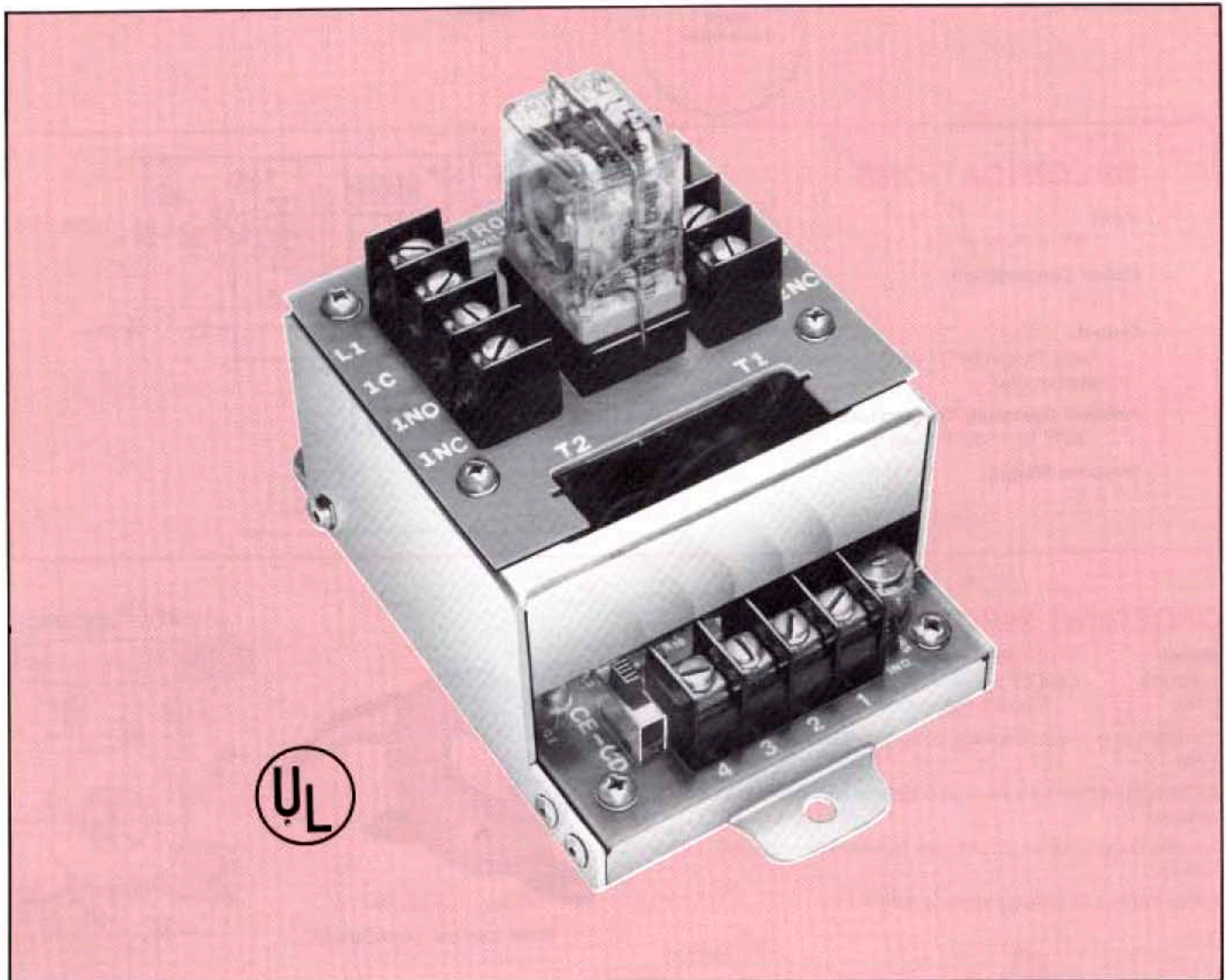
## CJ Series Surj-Switch Controls

The AUTOTRON Surj-Switch goes far beyond mere motor overload protection to instantly indicate slight increases in load current without interrupting production.

The Surj-Switch is easily adjusted on the job to the exact overload value desired above the normal load current. This pre-set overload current instantly actuates a plug-in 10 Amp DPDT overload relay

without interrupting operation of the motor. The Control responds to changes in the normal load motor current—not maximum permissible motor current.

Ease of adjustment permits setting the Control at the margin above normal load current desired for the particular application as well as re-adjustment to meet changes in the load. Can also set Control at the margin below normal load current to detect a drop in current.



**Overload Current Detection • Easily Adjustable to 100 Amps**

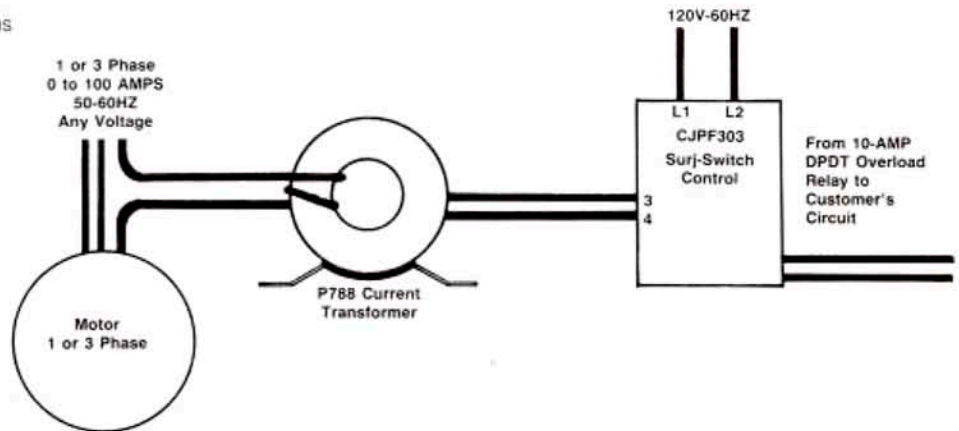
## FEATURES

1. Can detect currents up to 100 Amps
2. Handy potentiometer is used to set current trip point
3. Phase setting allows the relay to energize or de-energize on current increase.
4. Provision for an external switch to close and prevent relay action during extraneous current surges.
5. Can set trip point just above or just below normal load current to detect current surges or current drops, respectively.

## OPTIONS

- Plug-in function cards
- Plug-in logic or solid-state AC switch output
- 120V or 230V 50-60 Hz input
- 12VAC, 12VDC, 24VAC or 24VDC versions

## TYPICAL HOOKUP



## SPECIFICATIONS

### Input:

120V  $\pm$  10% 60 Hz

### Power Consumption:

5VA

### Output:

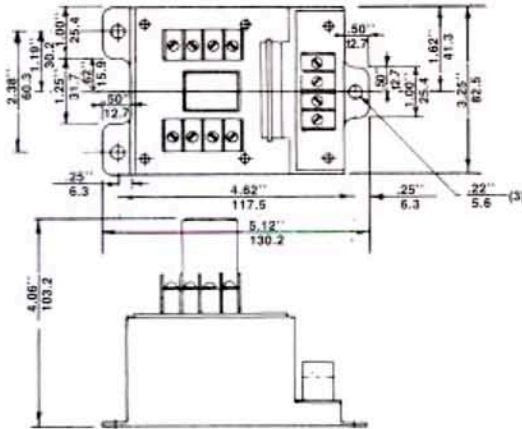
Relay: Plug-in DPDT contacts rated 10A, 120VAC, resistive load

### Ambient Operating Temperature:

-40°F to +130°F (-40°C to +55°C)

### Shipping Weight:

2 lbs



## ORDERING INFORMATION

Model	Description
CJPF303	ON/OFF Surj-Switch Control
P788	Current Transformer

Complete Surj-Switch package consists of CJPF303 and P788.

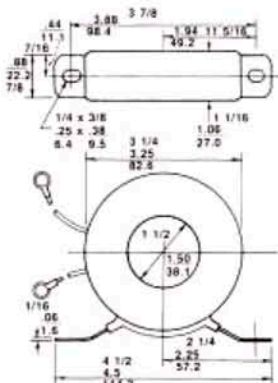
CJ Series supplied less enclosure. Enclosure available upon request.

For time delay or other options, see Bulletin 979 or consult factory.

Prices Subject To Change Without Notice



P788 Current Transformer



# Autotron

ELWOOD CORP.-AUTOTRON GROUP

195 W. RYAN ROAD • OAK CREEK, WI 53154-4401 • 414-764-7500

TOLL FREE 800-527-7500 • FAX 414-764-4298